

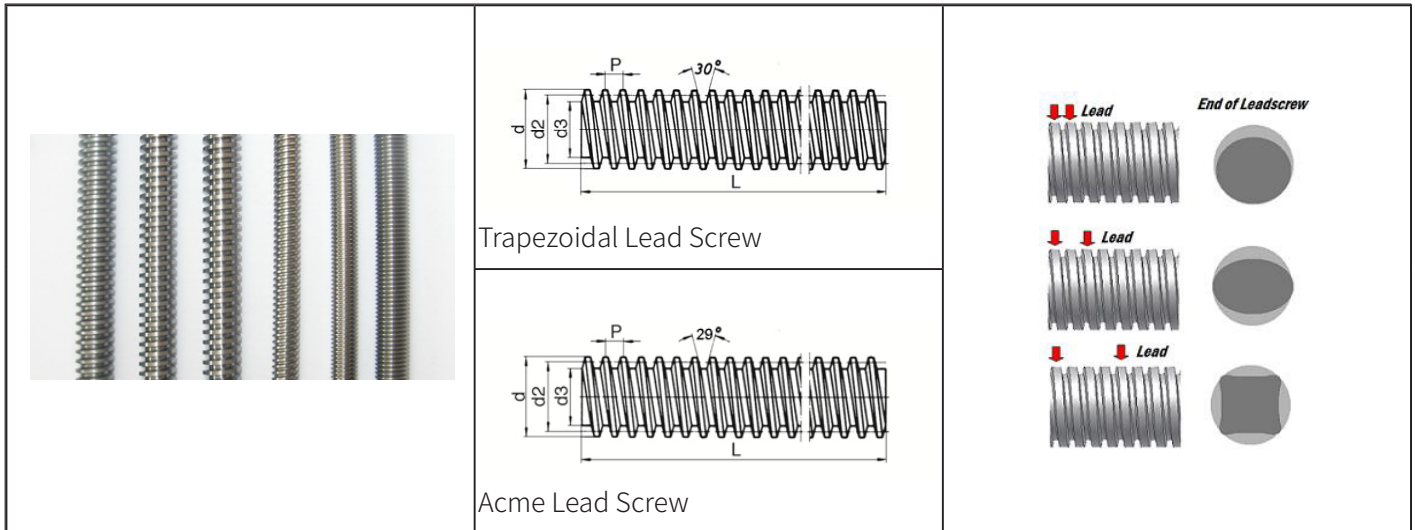
Lead Screw



SCREWTECH
斯科勒自动化

Lead Screw

Trapezoidal /Acme Lead Screw



Note:

1. Material: 1045 Carbon Steel, SUS303, SUS304 or others.
2. 2 starts, 3 starts, 4 starts and more are all available.
3. Major diameter: 2mm-200mm, Lead: 1mm-22mm.
4. Max length: 6 meters.
5. Left hand thread is available upon request.
6. Acme thread, square metric and other non-standard thread profiles are available upon drawings.
7. Higher Precision Grade is available upon request.

Standard: ISO2901-4, DIN103, GB/5796, Standard Clearance: 7e.

Unit: mm

Code	Pitch	d		d2		d3		Pitch Error (mm/300mm)	Straightness (mm/300mm)
		Max	Min	Max	Min	Max	Min		
Tr8x1.5	1.5	8	7.85	7.18	7.01	6.29	5.92	0.2	0.3
Tr10x1.5	1.5	10	9.85	9.18	9.01	8.20	7.92	0.2	0.3
Tr10x2	2		9.82	8.93	8.74	7.50	6.89	0.2	0.3
Tr10x3	3		9.80	8.42	8.19	6.50	6.15	0.2	0.3
Tr10x4	2		9.82	8.93	8.74	7.50	6.89	0.3	0.3
Tr12x2	2	12	11.82	10.93	9.84	9.58	8.89	0.2	0.3
Tr12x3	3		11.76	10.42	10.19	8.50	7.69	0.2	0.3
Tr12x6	3		11.76	10.42	10.19	8.50	7.69	0.3	0.3
Tr14x2	2	14	13.82	12.93	12.73	11.5	11.18	0.2	0.3
Tr14x3	3		13.76	12.42	12.19	10.5	10.07	0.2	0.3
Tr14x4	4		13.80	11.91	11.64	9.50	8.80	0.2	0.3
Tr14x6	3		13.76	12.42	12.16	10.5	9.68	0.3	0.3
Tr16x2	2	16	15.82	14.93	14.73	13.5	13.12	0.1	0.3
Tr16x4	4		15.70	13.91	13.64	11.5	10.47	0.1	0.3
Tr16x8	4		15.70	13.91	13.61	11.5	10.47	0.2	0.3
Code	Pitch (mm)	d (mm)		d2 (mm)		d3 (mm)		Pitch Error (mm/300mm)	Straightness (mm/300mm)
		Max	Min	Max	Min	Max	Min		

Lead Screw

Code	Pitch (mm)	d (mm)		d2 (mm)		d3 (mm)		Pitch Error (mm/300mm)	Straightness (mm/300mm)
		Max	Min	Max	Min	Max	Min		
Tr18x2	2	18	17.82	16.93	16.73	15.5	15.12	0.1	0.3
Tr18x4	4		17.70	15.91	15.64	13.5	12.47	0.1	0.3
Tr18x8	4		17.43	15.91	15.61	13.5	12.47	0.2	0.3
Tr20x2	2	20	19.82	18.93	18.73	17.5	17.18	0.1	0.3
Tr20x4	4		19.70	17.91	17.64	15.5	14.47	0.1	0.3
Tr20x8	4		19.70	17.90	17.61	15.5	14.47	0.2	0.3
Tr22x3	3	22	21.76	20.41	20.19	18.5	18.14	0.1	0.2
Tr22x5	5		21.66	19.39	19.11	16.5	15.29	0.1	0.2
Tr22x8	4		21.70	19.90	19.61	17.5	16.47	0.2	0.2
Tr22x10	5		21.66	19.39	19.08	16.5	15.29	0.2	0.2
Tr24x3	3	24	23.76	22.41	22.17	20.5	20.14	0.1	0.2
Tr24x5	5		23.66	21.39	21.09	18.5	17.27	0.1	0.2
Tr24x10	5		23.66	21.39	21.06	18.5	17.27	0.2	0.2
Tr26x3	3	26	25.76	24.41	24.17	22.5	20.14	0.1	0.2
Tr26x5	5		25.67	23.39	23.09	20.5	19.27	0.1	0.2
Tr26x8	4		25.50	21.87	21.49	17.0	16.40	0.1	0.2
Tr26x10	5		25.67	23.39	23.09	20.5	19.27	0.2	0.2
Tr28x3	3	28	27.76	26.41	26.17	24.5	24.10	0.1	0.2
Tr28x5	5		27.67	25.39	25.09	22.5	21.27	0.1	0.2
Tr28x10	5		27.67	25.39	25.06	22.5	21.27	0.2	0.2
Tr30x3	3	30	29.76	28.41	28.17	26.5	26.4	0.1	0.2
Tr30x6	6		29.63	26.88	26.55	23.0	21.56	0.2	0.2
Tr30x12	6		29.63	26.88	26.51	23.0	21.56	0.1	0.2
Tr32x3	3	32	31.76	30.50	30.25	28.5	28.10	0.1	0.2
Tr32x5	5		31.67	29.39	29.09	26.5	25.27	0.1	0.2
Tr32x6	6		31.63	28.88	28.55	25.0	23.56	0.1	0.2
Tr32x12	6		31.63	28.88	28.51	25.0	23.56	0.2	0.2
Tr36x6	6	36	35.63	32.88	32.55	29.0	27.56	0.1	0.2
Tr36x12	6		35.63	32.88	32.51	29.0	27.56	0.2	0.2
Tr40x7	7	40	39.58	36.38	36.02	32.0	30.38	0.1	0.2
Tr40x14	7		39.58	36.38	35.98	32.0	30.38	0.2	0.2
Tr44x7	7	44	43.57	40.37	40.02	36.0	34.38	0.1	0.2
Tr44x12	12		43.40	37.84	37.42	31.0	30.18	0.1	0.2
Tr44x14	7		43.57	40.37	39.98	36.0	34.38	0.2	0.2
Tr50x8	8	50	49.55	45.87	45.47	41.0	39.17	0.1	0.2
Tr50x12	12		49.40	43.84	43.37	37.0	36.25	0.1	0.2
Tr55x9	9	55	54.50	55.36	49.94	45.0	42.98	0.1	0.2
Tr55x14	14		54.33	47.82	47.32	39.0	38.20	0.1	0.2
Tr60x9	9	60	59.50	55.36	54.94	50.0	47.98	0.1	0.2
Tr60x14	14		59.33	52.82	52.32	44.0	43.20	0.1	0.2
Code	Pitch (mm)	d (mm)		d2 (mm)		d3 (mm)		Max Pitch Error (mm/300mm)	Straightness (mm/300mm)
		Max	Min	Max	Min	Max	Min		

Lead Screw

Code	Pitch	d		d2		d3		Max Pitch Error (mm/300mm)	Straightness (mm/300mm)
		Max	Min	Max	Min	Max	Min		
Tr70x10	10	70	69.47	64.85	64.43	59.0	56.82	0.1	0.4
Tr70x16	16		69.29	61.81	61.28	52.0	51.15	0.1	0.4
Tr80x10	10	80	79.47	74.85	74.43	69.0	66.82	0.1	0.4
Tr80x16	16		79.29	71.81	71.28	62.0	61.15	0.1	0.4
Tr90x12	12	90	89.40	83.84	83.37	77.0	74.45	0.1	0.5
Tr90x18	18		89.20	80.80	80.24	70.0	69.10	0.1	0.5
Tr95x12	12	95	94.4	88.84	88.34	82.0	81.22	0.1	0.5
Tr95x16	16		94.3	88.84	86.25	77.0	73.71	0.1	1
Tr95x18	18		94.2	85.80	85.20	75.0	74.05	0.1	1
Tr100x12	12	100	99.4	93.84	93.34	87.0	86.22	0.1	1
Tr100x16	16		99.29	91.81	91.25	82.0	78.71	0.1	1
Tr100x20	20		99.15	89.79	89.19	78.0	77.01	0.1	1
Tr120x14	14	120	119.33	112.82	112.29	104	103.16	0.1	1
Tr120x16	16		119.29	111.81	111.25	102	98.71	0.1	1
Tr120x22	22		119.10	108.78	108.15	96	94.99	0.1	1
Code	螺距 (mm)	d (mm)		d2 (mm)		d3 (mm)		Pitch Error (mm/300mm)	Straightness (mm/300mm)
		Max	Min	Max	Min	Max	Min		

Other Types of Thread and their sizes

Thread Type	
Code	Meaning
Tr	ISO Trapezoidal Thread (30°)
A	ACME Thread (29°)
M	ISO Metric Thread (60°)
W	Worm (40°)
SQ	Square Thread (0°)
R	Round Thread
HL	Helix Thread

Direction of Thread	
Code	Meaning
RH	Right Hand
LH	Left Hand

Material of Lead Screw	
Code	Meaning
1045	Carbon Steel (1045)
SS	Stainless Steel (SS304)

Mould available for Metric Thread

No.	Type of Thread	Direction of Thread	Diameter	Lead	Pitch	Start(s)	Material
1	M	RH	3.5	0.61	0.61	1	1045
2	M	RH	8	5	1.25	4	1045
3	M	RH	9.8	6.25	1.25	5	1045
4	M	RH	11.6	7.5	1.25	6	1045
5	M	RH	12	1.25	1.25	1	1045
6	M	RH	12	1.75	1.75	1	1045
7	M	RH	20	4	4	1	1045

Lead Screw

Mould available for Acme Thread

No.	Thread	Direction	Diameter	Lead	Pitch	Start(s)	Material
1	A	RH	3.175	4	1	4	1045
2	A	RH	4.76	0.635	0.635	1	1045
3	A	RH	5	1	1	2	1045
4	A	RH	5.56	1.2192	1.2192	4	1045
5	A	RH	6.35	1	1	2	1045
6	A	RH	6.35	1.5875	1.5875	2	1045
7	A	RH	9.525	2.3091	2.3091	4	1045
8	A	RH	9.525	2.1166	2.1166	2	1045
9	A	RH	9.525	1.9538	1.9538	2	1045

Mould available for lead screw of Stainless Steel material

No.	Thread	Direction	Diameter	Lead	Pitch	Start(s)	Material
1	Tr	RH	6.35	3.175	1.5875	2	SS
2	Tr	RH	6.35	12.7	2.54	5	SS
3	Tr	RH	9	4.762	1.5875	3	SS
4	Tr	RH	15	7.9375	1.5875	5	SS
5	Tr	RH	16	9	4.5	2	SS
6	Tr	RH	17.41	9.525	1.5875	6	SS
7	Tr	RH	18	12.7	1.5875	8	SS
8	Tr	RH	11.9	6.35	1.5875	4	SS

Mould available for other Lead Screws of Carbon Steel

No.	Thread	Dir.	Dia.	Lead	Pitch	Start(s)	No.	Thread	Dir.	Dia.	Lead	Pitch	Start(s)
1	M	RH	3.5	0.61	0.61	1	20	Tr	RH	8	8	2	4
2	A	RH	3.175	4	1	4	21	Tr	RH	8	10	2.5	4
3	A	RH	4.76	0.635	0.635	1	22	Tr	RH	8	12.7	3.175	4
4	A	RH	5	2	1	2	23	Tr	RH	8	15	2.5	6
5	A	RH	5.56	4.8768	1.2192	4	24	Tr	RH	8	20	2.5	8
6	Tr	RH	5.56	9.75	1.2188	8	25	Tr	RH	8	24	4	6
7	Tr	RH	6.35	0.8	0.8	1	26	Tr	RH	9	4.5	1.5	3
8	Tr	RH	6.35	1.5875	1.5875	1	27	Tr	RH	9	4.762	1.5875	3
9	A	RH	6.35	2	1	2	28	Tr	RH	9	7.9375	1.5875	5
10	A	RH	6.35	3.175	1.5875	2	29	Tr	RH	9	17.5	2.5	7
11	Tr	RH	6.35	3.175	1.5875	2	30	Tr	RH	9	25	5	5
12	Tr	RH	6.35	6.35	1.5875	4	31	Tr	RH	9	28	4	7
13	Tr	RH	6.35	12.7	2.54	5	32	Tr	RH	9.5	2.54	2.54	1
14	Tr	RH	6.5	3	1.5	2	33	Tr	RH	9.5	5.08	2.54	2
15	Tr	RH	7	3	1.5	2	34	Tr	RH	9.5	12	4	3
16	SQ	RH	8	1	1	1	35	Tr	RH	9.5	12.5	2.5	5
17	Tr	RH	8	4	2	2	36	Tr	RH	9.5	12.7	3.175	4
18	M	RH	8	5	1.25	4	37	A	RH	9.525	9.2364	2.3091	4
19	HL	RH	8	5	/	/	38	A	RH	9.525	4.2332	2.1166	2

Lead Screw

No.	Thread	Dir.	Dia.	Lead	Pitch	Start(s)
39	A	RH	9.525	3.9076	1.9538	2
40	Tr	RH	9.5	8	1.333	6
41	Tr	RH	9.6	15.875	3.175	5
42	Tr	RH	9.7	9	4.5	2
43	M	RH	9.8	6.25	1.25	5
44	Tr	LH	9.92	4	2	2
45	SQ	RH	10	1.5	1.5	1
46	W	RH	10	3.8074	/	/
47	Tr	RH	10	4	2	2
48	Tr	RH	10	5	2.5	2
49	Tr	RH	10	19.05	3.175	6
50	Tr	RH	10	20	3.3333	6
51	Tr	RH	10.26	20	2.5	8
52	Tr	RH	10.3	32	4	8
53	Tr	RH	11	2	2	1
54	Tr	RH	11	4	2	2
55	Tr	RH	11	6	1.5	4
56	Tr	RH	11	8	4	2
57	Tr	RH	11	19.05	3.175	6
58	Tr	RH	11	30	5	6
59	Tr	RH	11.3	6.35	3.175	2
60	Tr	RH	11.3	22.22	3.175	7
61	Tr	RH	11.39	22.5	2.5	9
62	Tr	RH	11.45	4	2	2
63	Tr	RH	11.5	2.54	2.54	1
64	Tr	RH	11.5	5.08	2.54	2
65	Tr	RH	11.5	12.7	2.54	5
66	Tr	RH	11.5	15	2.5	6
67	Tr	RH	11.5	15.75	3.15	5
68	Tr	RH	11.5	36	4	9
69	M	RH	11.6	7.5	1.25	6
70	Tr	RH	11.8	8	4	2
71	Tr	RH	11.9	6.35	1.5875	4
72	Tr	RH	11.9	9.526	1.5875	6
73	Tr	RH	11.95	3.174	1.5875	2
74	M	RH	12	1.25	1.25	1
75	M	RH	12	1.75	1.75	1
76	Tr	RH	12	6	3	2
77	Tr	RH	12	9	3	3
78	Tr	RH	12	10	2.5	4
79	Tr	RH	12	16	4	4
80	Tr	RH	12	21	4.2	5
81	Tr	RH	12	40	4	10

No.	Thread	Dir.	Dia.	Lead	Pitch	Start(s)
82	Tr	RH	12.5	2.54	2.54	1
83	Tr	RH	12.5	5.08	2.54	2
84	Tr	RH	12.5	25	2.5	10
85	Tr	RH	12.7	25.4	3.175	8
86	Tr	RH	12.8	22.225	3.175	7
87	Tr	RH	12.8	65	5	13
88	Tr	RH	13	7.5	1.5	5
89	Tr	RH	13	35	5	7
90	Tr	RH	13	17.5	2.5	7
91	Tr	RH	13	30	10	3
92	Tr	LH	13	30	10	3
93	Tr	RH	13.2	42	6	7
94	Tr	LH	13.2	42	6	7
95	Tr	RH	13.5	12	4	3
96	Tr	RH	13.5	13.5	4.5	3
97	Tr	RH	13.6	27.5	2.5	11
98	Tr	RH	13.8	70	5	14
99	Tr	RH	14	2	2	1
100	Tr	LH	14	2	2	1
101	Tr	RH	14	3	3	1
102	Tr	LH	14	3	3	1
103	Tr	RH	14	4	4	1
104	Tr	LH	14	4	4	1
105	Tr	RH	14	6	3	2
106	Tr	RH	14	8	4	2
107	Tr	RH	14	12	4	3
108	Tr	RH	14	19.05	3.15	6
109	Tr	RH	14	28.575	3.175	9
110	Tr	LH	14.28	6	2	3
111	W	RH	14.4	7.614	/	/
112	Tr	RH	14.5	7.5	2.5	3
113	Tr	RH	14.5	20	4	5
114	Tr	RH	14.5	25.4	3.175	8
115	Tr	RH	14.7	12.5	2.5	5
116	Tr	RH	14.8	40	10	4
117	Tr	LH	14.8	40	10	4
118	Tr	RH	14.8	48	6	8
119	Tr	LH	14.8	48	6	8
120	Tr	RH	14.8	75	5	15
121	Tr	RH	15	2	2	1
122	Tr	RH	15	6	2	3
123	Tr	RH	15	7.9375	1.5875	5
124	Tr	RH	15	11.11	1.5875	7

Lead Screw

No.	Thread	Dir.	Dia.	Lead	Pitch	Start(s)
125	Tr	RH	15	12	3	4
126	Tr	RH	15	12	6	2
127	Tr	RH	15	20	2.5	8
128	Tr	RH	15	30	2.5	12
129	Tr	RH	15.14	40	5	8
130	Tr	RH	15.5	31.75	3.175	10
131	Tr	RH	15.8	80	5	16
132	Tr	RH	16	2	2	1
133	Tr	RH	16	3	3	1
134	Tr	RH	16	8	4	2
135	Tr	RH	16	9	4.5	2
136	Tr	RH	16	9.525	3.175	3
137	Tr	RH	16	16	4	4
138	Tr	RH	16	22.225	3.15	7
139	Tr	RH	16	28.575	3.175	9
140	Tr	RH	16.4	54	6	9
141	Tr	LH	16.4	54	6	9
142	Tr	RH	16.5	6	2	3
143	Tr	RH	16.5	22.5	2.5	9
144	Tr	RH	16.72	85	5	17
145	Tr	RH	17	34.9	3.175	11
146	Tr	RH	17.28	45	5	9
147	Tr	RH	17.55	4.761	1.5875	3
148	Tr	RH	17	24	4	6
149	Tr	RH	17	24	6	4
150	Tr	RH	17	9	3	3
151	Tr	RH	17.3	18	4.5	4
152	Tr	RH	17.41	9.525	1.5875	6
153	Tr	RH	17.5	15	2.5	6
154	Tr	RH	17.64	90	5	18
155	Tr	RH	17.69	31.75	3.175	10
156	Tr	RH	17.93	16	4	4
157	Tr	RH	18	4	4	1
158	Tr	LH	18	4	4	1
159	Tr	RH	18	8	4	2
160	Tr	RH	18	12.7	1.5875	8
161	R	RH	18	18	4.5	4
162	Tr	RH	18	25	2.5	10
163	Tr	RH	18	25.4	3.15	8
164	Tr	RH	18	38.075	3.175	12
165	Tr	RH	18	60	6	10
166	Tr	LH	18	60	6	10
167	Tr	RH	18.075	50	10	5

No.	Thread	Dir.	Dia.	Lead	Pitch	Start(s)
168	Tr	LH	18.075	50	10	5
169	Tr	RH	18.56	95	5	19
170	Tr	LH	18.64	8	2	4
171	W	RH	18.8	9.5178	/	/
172	Tr	RH	19	15	3	5
173	Tr	RH	19.428	50	5	10
174	Tr	RH	19.45	20	4	5
175	Tr	RH	19.46	28	4	7
176	Tr	RH	19.6	66	6	11
177	Tr	LH	19.6	66	6	11
178	Tr	RH	19.9	12	4	3
179	Tr	RH	20	8	2	4
180	Tr	RH	20	9	3	3
181	Tr	RH	19	3.175	3.175	1
182	Tr	LH	19	3.175	3.175	1
183	Tr	RH	19	6	6	1
184	M	RH	20	4	4	1
185	Tr	RH	20	5	5	1
186	Tr	RH	20	10	5	2
187	Tr	RH	20	17.5	2.5	7
188	Tr	RH	20	18	6	3
189	Tr	RH	21.1	22.5	4.5	5
190	Tr	RH	21.2	72	6	12
191	Tr	LH	21.2	72	6	12
192	Tr	RH	21.3	12.7	3.175	4
193	Tr	RH	21.35	60	10	6
194	Tr	LH	21.35	60	10	6
195	Tr	RH	21.57	55	5	11
196	Tr	RH	21.86	20	4	5
197	Tr	RH	21.93	32	4	8
198	Tr	RH	22	8	2	4
199	Tr	RH	22	18	3	6
200	Tr	RH	22.8	78	6	13
201	Tr	LH	22.8	78	6	13
202	Tr	RH	22.9	24	4	6
203	Tr	RH	23	10	2.5	4
204	Tr	LH	23	10	2	5
205	Tr	RH	23	12	6	2
206	Tr	RH	23.15	6.348	1.587	4
207	W	RH	23.2	11.42	/	/
208	Tr	RH	24	10	5	2
209	Tr	RH	24.4	36	4	9
210	Tr	RH	24.625	70	10	7

Lead Screw

No.	Thread	Dir.	Dia.	Lead	Pitch	Start(s)
211	Tr	LH	24.625	70	10	7
212	Tr	RH	24.9	27	4.5	6
213	Tr	RH	25	12	6	2
214	Tr	RH	25.43	24	6	4
215	Tr	RH	25.8	16	4	4
216	Tr	RH	25.8	24	4	6
217	Tr	RH	26	12	3	4
218	Tr	RH	26	12	4	3
219	Tr	RH	26.3	15.875	3.175	5
220	Tr	RH	26.35	28	4	7
221	M	RH	27	3	3	1
222	Tr	RH	27	10	2	5
223	Tr	LH	27.36	12	2	6
224	Tr	RH	27.5	12	3	4
225	Tr	RH	27.5	12.5	2.5	5
226	Tr	RH	27.9	80	10	8
227	Tr	LH	27.9	80	10	8
228	Tr	RH	28.65	15	5	3

No.	Thread	Dir.	Dia.	Lead	Pitch	Start(s)
229	Tr	RH	28.7	31.5	4.5	7
230	Tr	RH	29.8	32	4	8
231	Tr	RH	30.86	30	6	5
232	Tr	RH	31.7	20	4	5
233	Tr	LH	31.72	14	2	7
234	Tr	RH	32.5	15	3	5
235	Tr	RH	33	18	6	3
236	Tr	RH	34	16	4	4
237	Tr	RH	34.65	15	5	3
238	Tr	RH	36.3	36	6	6
239	Tr	RH	37.3	20	5	4
240	Tr	RH	37.6	24	4	6
241	Tr	RH	43	24	6	4
242	Tr	RH	45.3	20	5	4
243	Tr	RH	45.95	25	5	5
244	Tr	RH	53	30	6	5
245	Tr	RH	55.95	25	5	5
/	/	/	/	/	/	/

General Purpose Lead Screw Nut

General Purpose Nut is fit for lead screws of trapezoidal thread, STT thread, acme thread and other standard or nonstandard thread, which don't require anti-backlash and wear compensation. It offers axial clearance from 0.075mm to 0.18mm.

Properties:

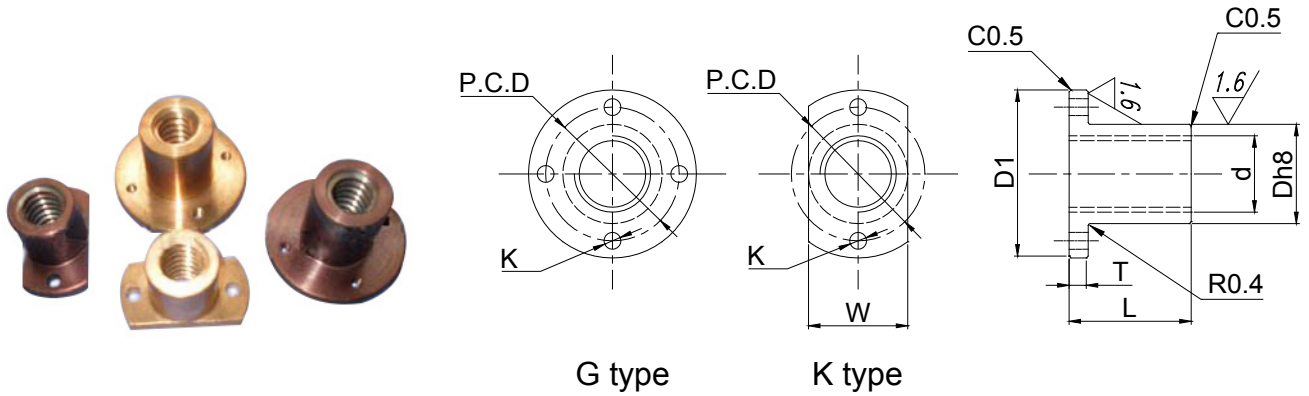
- Standards: ISO2901-4, DIN103, GB/5796; Clearance: 7H. Higher tolerances can be acquired upon request.
- The popular material can be bronze, brass, casting iron, alloy steel, POM (Derlin, Acetal), PA6 (PA66, Nylon) and other polymer plastic materials.
- High quality materials, strict quality control and precision machining ensure the best performance.
- Working temperature: 15°C to 350°C for metal nut, and 15°C to 175°C for plastic nut.

Suggestions: the lead screw assembly should be replaced by new set once the axial clearance is 1/4 or more of the pitch.

Note: all dimensions, unless marked, in mm.

Lead Screw

Round Nut with Flange in Compact Size-RNC



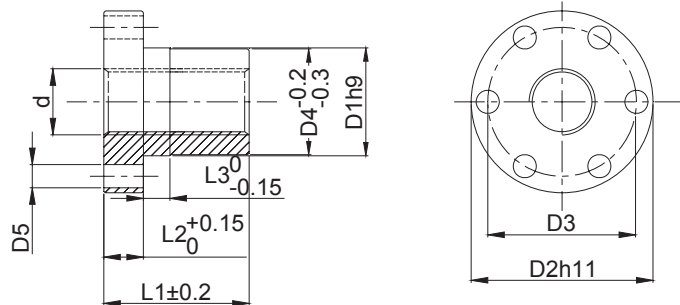
Stock Material: Bronze, Casting Iron; Other materials upon request: Brass, Steel etc.

Code	d	pitch	D	L	D1	T	P.C.D	W	Dynamic Load (KN)
RNC □ -10x □	10	2 (3, 4, 5, 6, 8, 9)	16	19	32	4	24	3.3	2.02
RNC □ -12x □	12		18	24	36	5	27	4.3	3.14
RNC □ -14x □	14	3 (2, 4, 6, 8, 9)	20	24	38	5	29	4.3	3.92
RNC □ -16x □	16		22	28	40	5	31	4.3	5.34
RNC □ -20x □	20	4 (2, 3, 5, 6)	26	32	44	5	35	4.3	7.85
RNC □ -22x □	22	5 (2, 3, 4, 6)	28	40	50	6	39	5.4	9.89
RNC □ -25x □	25		31	40	53	6	42	5.4	11.38
RNC □ -28x □	28		34	43	58	7	46	6.6	14.42
RNC □ -32x □	32	6 (3, 4, 5, 7, 8)	38	43	62	7	50	6.6	16.94

Other sizes, dimensions and shapes are available upon request.

Lead Screw

Round Nut with Round Flange-RNRF

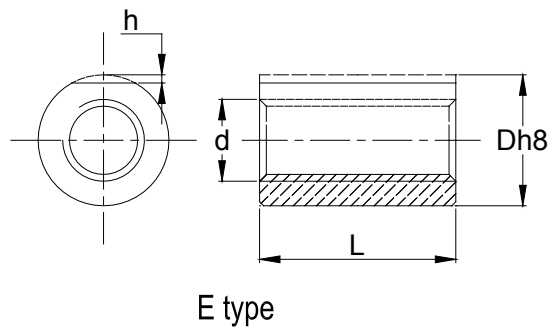
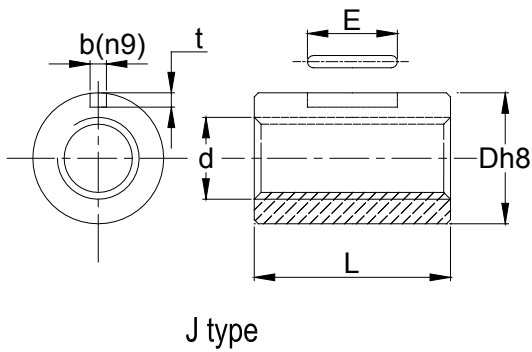
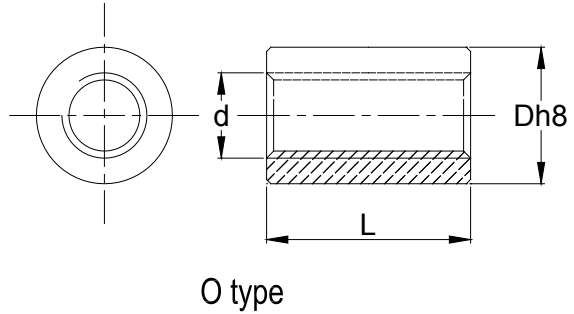


Stock Material: Bronze, Casting Iron; Other materials upon request: Brass, Steel etc.

Code	d	Pitch	D1	D2	D3	D4	Mounting holes		L1	L1	L2
			h9			-0.2/-0.3	D5	Thread			
RNRF: with single-start thread											
RNRF-10x2	10	2	25	42	34	25	5	M4	25	10	6
RNRF-10x3	10	3	25	42	34	25	5	M4	25	10	6
RNRF-12x3	12	3	28	48	38	28	6	M5	35	12	8
RNRF-14x3	14	3	28	48	38	28	6	M5	35	12	8
RNRF-16x4	16	4	28	48	38	28	6	M5	35	12	8
RNRF-18x4	18	4	28	48	38	28	6	M5	35	12	8
RNRF-20x4	20	4	32	55	45	32	7	M6	44	12	8
RNRF-22x5	22	5	32	55	45	32	7	M6	44	12	8
RNRF-24x5	24	5	32	55	45	32	7	M6	44	12	8
RNRF-26x5	26	5	38	62	50	38	7	M6	46	14	8
RNRF-28x5	28	5	38	62	50	38	7	M6	46	14	8
RNRF-30x6	30	6	38	62	50	38	7	M6	46	14	8
RNRF-32x6	32	6	45	70	58	45	7	M6	54	16	10
RNRF-36x6	36	6	45	70	58	45	7	M6	54	16	10
RNRF-40x7	40	7	63	95	78	63	9	M8	66	16	12
RNRF-44x7	44	7	63	95	78	63	9	M8	66	16	12
RNRF-48x8	48	8	72	110	90	72	11	M10	75	18	14
RNRF-50x8	50	8	72	110	90	72	11	M10	75	18	14
RNRF-60x9	60	9	88	130	110	88	13	M12	90	20	16
RNRF-70x10	70	10	95	140	120	95	13	M12	105	22	17
RNRF: with 2-start thread.											
RNRF-12x6-2	12	3	28	48	38	28	6	M5	35	12	8
RNRF-14x6-2	14	3	28	48	38	28	6	M5	35	12	8
RNRF-16x6-2	16	3	28	48	38	28	6	M5	35	12	8
RNRF-18x8-2	18	4	28	48	38	28	6	M5	35	12	8
RNRF-20x8-2	20	4	32	55	45	32	7	M6	44	12	8
RNRF-22x10-2	22	5	32	55	45	32	7	M6	44	12	8
RNRF-24x10-2	24	5	32	55	45	32	7	M6	44	12	8
RNRF-28x10-2	28	5	38	62	50	38	7	M6	46	14	8
RNRF-30x12-2	30	6	38	62	50	38	7	M6	46	14	8
RNRF-32x12-2	32	6	45	70	58	45	7	M6	54	16	10
RNRF-40x14-2	36	6	45	70	58	45	9	M8	54	16	10

Lead Screw

Round Nut without Round Flange-RN



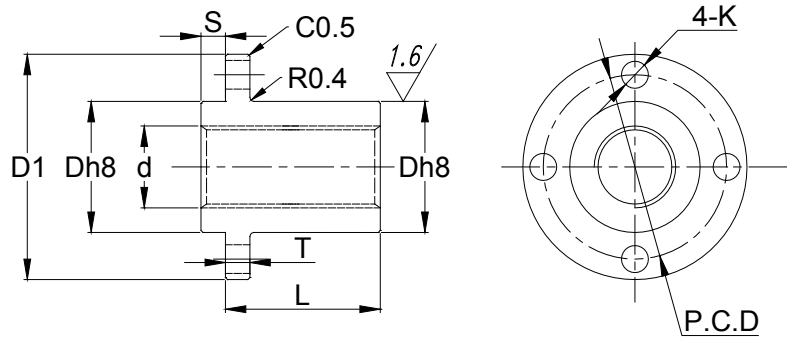
Stock Material: Bronze, Casting Iron; Other materials upon request: Brass, Steel etc.

Code	d	pitch	D	L	b	t	E	h	Dynamic Load (KN)
RN □ -8x1.5	8	1.5	15	20	3	1.8	14	/	1.47
RN □ -10x2	10	2	20	20	4	2.5	14	/	2.06
RN □ -12x2	12	2	22	22	4	3	16	/	2.84
RN □ -14x3	14	3	22	22	4	5	29	1	3.63
RN □ -16x3	16	3	28	26	5	3	18	1	4.90
RN □ -18x4	18	4	32	31	6	3.5	22	/	6.86
RN □ -20x4	20	4	32	31	6	3.5	22	2	7.65
RN □ -22x4	22	5	36	40	6	3.5	26	2	9.90
RN □ -25x5	25	5	36	40	6	3.5	26	2	11.38
RN □ -28x5	22	5	44	45	8	4	32	2	14.42
RN □ -32x6	32	6	44	45	8	4	32	2	17.06
RN □ -36x5	22	6	52	49	12	5	40	-	21.18
RN □ -40x5	22	7	58	57	15	5	42		27.46
RN □ -50x5	22	8	68	67	15	5	52		40.11
Code	d	pitch	D	L	b	t	E	h	Dynamic Load (KN)

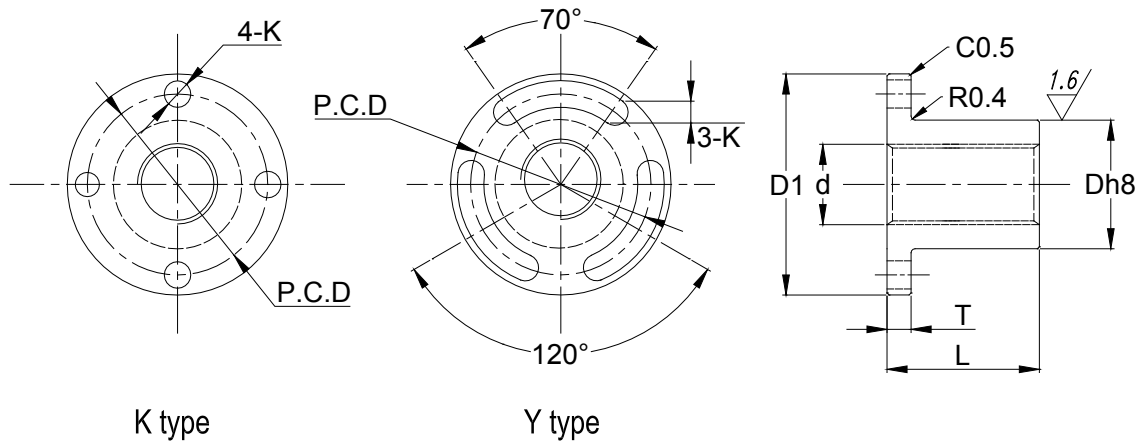
Other sizes, dimensions and shapes are available upon request.

Lead Screw

Round Nut with Back Flange or Special Mounting Holes-RNRFX



A type



K type

Y type

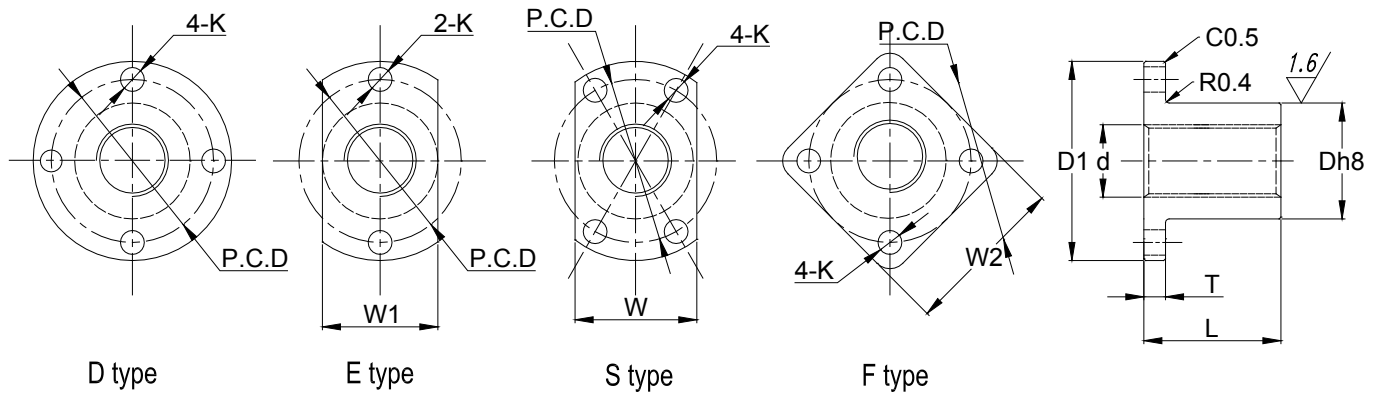
Stock Material: Bronze, Casting Iron; Other materials upon request: Brass, Steel etc.

Code	d	pitch	D	L	D1		T	S	P.C.D		K		Dynamic Load(KN)
					A	K,Y			A	K,Y	A	K,Y	
RNRFX □ -14x □	14	3 (2, 4, 6, 8, 9)	22	20	44	44	5	5	33	31	5.4	M4	4.90
RNRFX □ -16x □	16		28	35	52	51	6	6	40	38	6.6	M5	6.67
RNRFX □ -20x □	20	4(2, 3, 5, 6)	32	40	56	56	6	6	44	42	6.6	M5	9.81
RNRFX □ -22x □	22	5(2, 3, 4, 6)	36	50	60	61	7	6	48	47	6.6	M5	12.36
RNRFX □ -24x □	24		36	50	60	61	7	6	48	47	6.6	M5	14.22
RNRFX □ -28x □	28		44	56	/	76	8	/	/	58	9.0	M6	17.95
RNRFX □ -32x □	32	6(3, 4, 5, 7, 8)	44	56	/	76	8	/	/	58	9.0	M6	21.08

Other sizes, dimensions and shapes are available upon request.

Lead Screw

Round Nut with Flange-RNWF

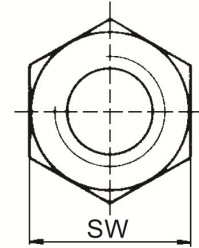
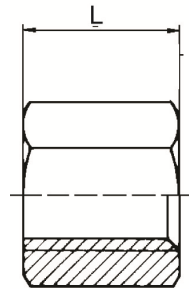


Stock Material: Bronze, Casting Iron; Other materials upon request: Brass, Steel etc.

Code	d	pitch	D	L	D1	P.C.D	T	W	W1	W2	K	Dynamic Load(KN)
RNWF □ -8x □	8	1.5 (1.2)	15	20	30	22	5	/	15	/	4.3	1.47
RNWF □ -10x □	10	2 (3, 4, 5, 6, 8, 9)	20	24	36	26	5	22	20	/	4.3	2.55
RNWF □ -12x □	12		22	30	44	31	5	24	22	/	5.4	3.92
RNWF □ -14x □	14	3 (2, 4, 5, 6, 8, 9)	22	30	44	31	5	24	22	33	5.4	4.90
RNWF □ -16x □	16		28	35	51	38	6	30	28	38	6.6	6.67
RNWF □ -18x □	18	4 (2, 3, 5, 6)	32	40	56	42	6	34	32	/	6.6	8.72
RNWF □ -20x □	20		32	40	56	42	6	34	32	42	6.6	9.81
RNWF □ -22x □	22	5 (2, 3, 4, 6)	36	50	61	47	7	40	36	47	6.6	12.36
RNWF □ -25x □	25		36	50	61	47	7	40	36	47	6.6	14.22
RNWF □ -28x □	28		44	56	76	58	8	48	44	58	9.0	17.95
RNWF □ -32x □	32	6 (3, 4, 5, 7, 8)	44	56	76	58	8	48	44	58	9.0	21.08
RNWF □ -36x □	36		52	60	84	66	8	56	52	/	9.0	25.78
RNWF □ -40x □	40		58	70	98	76	10	62	58	/	11	33.83
RNWF □ -50x □	50	8 (4, 5, 6, 7, 10)	68	80	109	85	10	72	68	/	11	40.31
Code	d	pitch	D	L	D1	P.C.D	T	W	W1	W2	K	Dynamic Load(KN)

Lead Screw

Hex Nut-HXN



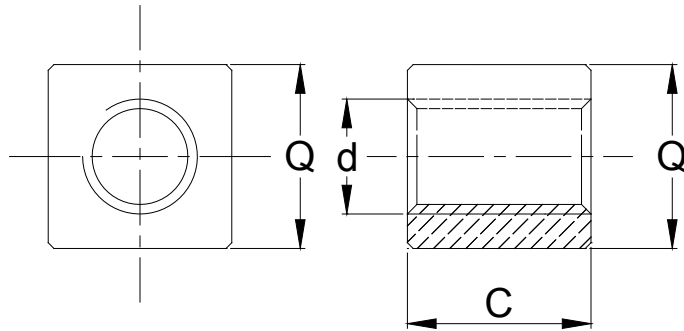
Stock Material: Bronze, Casting Iron; Other materials upon request: Brass, Steel etc.

Code	d	Pitch	SW	L	Weight (kg)	Code	d	Pitch	SW	L	Weight (kg)
HXN: with single-thread.						HXN: with 2-start thread.					
HXN-Tr10x2	10	2	17	15	0.022	HXN-Tr12x6-2	12	3	19	18	0.033
HXN-Tr10x3	10	3	17	15	0.022	HXN-Tr14x6-2	14	3	22	21	0.056
HXN-Tr12x3	12	3	19	18	0.033	HXN-Tr16x8-2	16	4	24	24	0.065
HXN-Tr14x3	14	3	22	21	0.056	HXN-Tr18x8-2	18	4	27	27	0.095
HXN-Tr16x4	16	4	24	24	0.065	HXN-Tr20x8-2	20	4	30	30	0.123
HXN-Tr18x4	18	4	27	27	0.095	HXN-Tr22x10-2	22	5	30	33	0.135
HXN-Tr20x4	20	4	30	30	0.123	HXN-Tr24x10-2	24	5	36	36	0.213
HXN-Tr22x5	22	5	30	33	0.135	HXN-Tr28x10-2	28	5	41	42	0.310
HXN-Tr24x5	24	5	36	36	0.213	HXN-Tr30x12-2	30	6	46	45	0.447
HXN-Tr26x5	26	5	36	39	0.225	HXN-Tr32x12-2	32	6	50	48	0.455
HXN-Tr28x5	28	5	41	42	0.310	HXN-Tr36x12-2	36	6	55	54	0.752
HXN-Tr30x6	30	6	46	45	0.447	HXN-Tr40x14-2	40	7	60	60	1.250
HXN-Tr32x6	32	6	50	48	0.455	HXN-Tr24x10-2	24	5	36	36	0.213
HXN-Tr36x6	36	6	55	54	0.752	HXN-Tr28x10-2	28	5	41	42	0.310
HXN-Tr40x7	40	7	60	60	1.250	HXN-Tr30x12-2	30	6	46	45	0.447
HXN-Tr44x7	44	7	65	66	1.320	HXN-Tr32x12-2	32	6	50	48	0.455
HXN-Tr50x8	50	8	75	75	1.895	HXN-Tr36x12-2	36	6	55	54	0.752
HXN-Tr60x9	60	9	90	90	3.30	HXN-Tr40x14-2	40	7	60	60	1.250
HXN-Tr70x10	70	10	100	100	4.20						

Other sizes, dimensions and shapes are available upon request.

Lead Screw

Square Nut-SQN



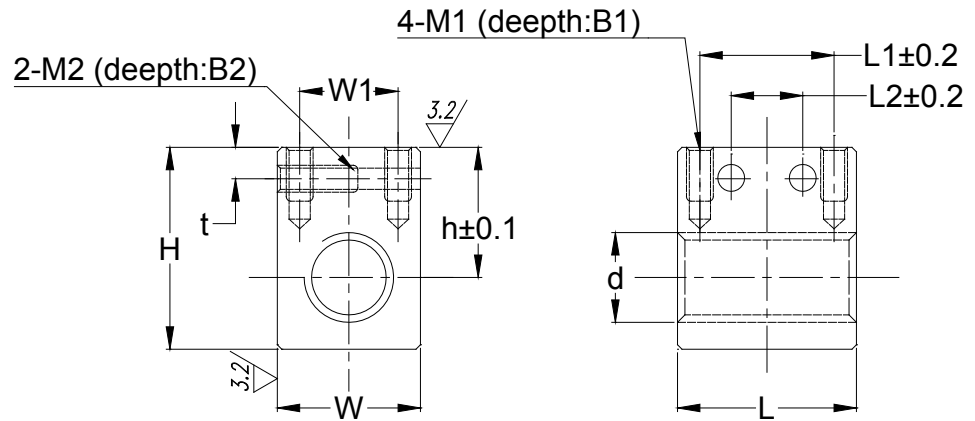
Stock Material: Bronze, Casting Iron; Other materials upon request: Brass, Steel etc.

Code	d	Pitch	Q	C	Weight (kg)	Code	d	Pitch	Q	C	Weight (kg)
SQN: with single start.						SQN: with 2-start thread..					
SQN-10x2	10	2	17	15	0.027	SQN-14x6-2	14	3	25	20	0.079
SQN-12x3	12	3	25	18	0.076	SQN-16x8-2	16	4	28	24	0.119
SQN-14x3	14	3	25	20	0.079	SQN-18x8-2	18	4	30	28	0.154
SQN-16x4	16	4	28	24	0.119	SQN-20x8-2	20	4	35	30	0.259
SQN-18x4	18	4	30	28	0.154	SQN-22x10-2	22	5	35	33	0.290
SQN-20x4	20	4	35	30	0.259	SQN-24x10-2	24	5	40	36	0.354
SQN-22x5	22	5	35	33	0.290	SQN-28x10-2	28	5	45	42	0.506
SQN-24x5	24	5	40	36	0.354	SQN-30x12-2	30	6	45	45	0.513
SQN-26x5	26	5	40	39	0.363	SQN-32x12-2	32	6	55	48	0.891
SQN-28x5	28	5	45	42	0.506	SQN-36x12-2	36	6	55	54	0.752
SQN-30x6	30	6	45	45	0.513	SQN-40x14-2	40	7	60	60	1.216
SQN-32x6	32	6	55	48	0.891						
SQN-36x6	36	6	55	54	0.752						
SQN-40x7	40	7	60	60	1.216						
SQN-44x7	44	7	65	66	1.538						
Code	d	Pitch	Q	C	Weight (kg)	Code	d	Pitch	Q	C	Weight (kg)

Other sizes, dimensions and shapes are available upon request.

Lead Screw

Square Nut-SQN

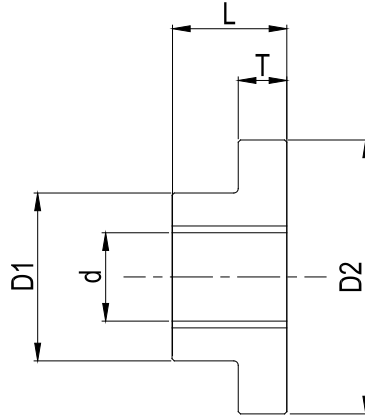


Stock Material: Bronze, Casting Iron; Other materials upon request: Brass, Steel etc.

Code	d	pitch	W	L	H	h	L1	L2	B1	B2	W1	M1	M2	t	Dynamic Load (KN)
SQTH-10x □	10	2 (3, 4, 5, 6, 8, 9)	20	24	30	20	16	/	8	/	12	M4	/	6	2.55
SQTH-12x □	12		22	30	34	23	21	9	10	15	13	M5	M5	6	3.92
SQTH-14x □	14	3 (2, 4, 6, 8, 9)	22	30	34	23	21	9	10	15	13	M5	M5	6	4.90
SQTH-16x □	16		28	35	41	27	25	11	12	18	18	M6	M6	7	6.67
SQTH-18x □	18	4 (2, 3, 5, 6)	32	40	45	29	30	16	12	18	22	M6	M6	7	8.72
SQTH-20x □	20		32	40	45	29	30	16	12	18	22	M6	M6	7	9.81
SQTH-22x □	22	5 (2, 3, 4, 6)	36	50	48	30	40	20	12	18	26	M6	M6	7	12.36
SQTH-25x □	25		36	50	48	30	40	20	12	18	26	M6	M6	7	14.22
SQTH-28x □	28		44	62	60	38	50	25	16	22	32	M8	M8	8	20.05
SQTH-32x □	32	6 (3, 4, 5, 7, 8)	44	62	60	38	50	25	16	22	32	M8	M8	8	22.81
Code	d	pitch	W	L	H	h	L1	L2	B1	B2	W1	M1	M2	t	Dynamic Load (KN)
Other sizes, dimensions and shapes are available upon request.															

Lead Screw

Round Nut in small length-RNSL

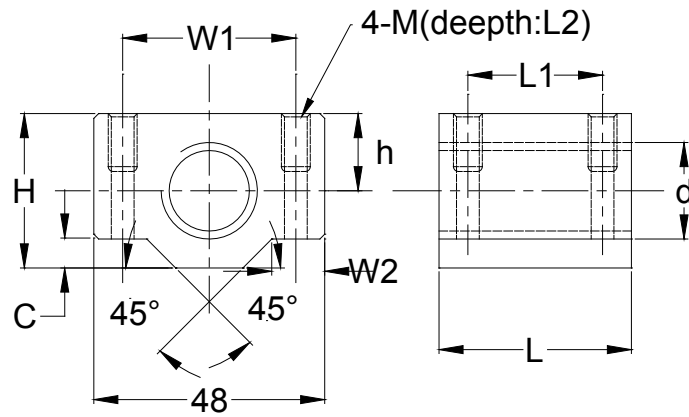


Stock Material: Bronze, Casting Iron; Other materials upon request: Brass, Steel etc.

Code	d	pitch	D1	D2	L1	L2	Weight (kg)	
							Bronze	Steel
RNSL-10x3	10	3	20	35	15	6	0.165	0.160
RNSL-12x3	12	3	24	42	20	7	0.291	0.280
RNSL-14x4	14	4	30	52	24	10	0.437	0.420
RNSL-16x4	16	4	30	52	24	10	0.437	0.420
RNSL-20x4	20	4	38	62	26	11	0.540	0.520
RNSL-24x5	24	5	50	77	33	13	1.245	1.200
RNSL-30x6	30	6	58	90	48	15	1.790	1.750
RNSL-36x6	36	6	80	115	60	20	3.400	3.310
RNSL-40x7	40	7	80	140	65	20	4.340	4.230
RNSL-50x8	50	8	90	170	70	20	5.690	5.500
Code	d	pitch	D1	D2	L1	L2	Weight (kg)	
							Bronze	Steel
Other sizes, dimensions and shapes are available upon request.								

Lead Screw

Widened Square Nut-WSQN

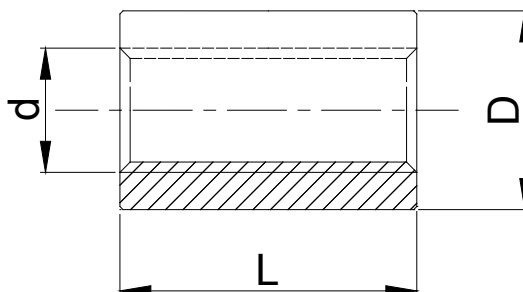


Stock Material: Bronze, Casting Iron; Other materials upon request: Brass, Steel etc.

Code	d	pitch	W	H	L	H	W1	W2	C	M	L2	Dynamic Load(KN)
WSQN -10x □	10	2 (3, 4, 5, 6, 8, 9)	30	20	24	10	20	8	4	M4	8	2.55
WSQN -12x □	12		38	22	30	11	26	10	5	M5	10	3.92
WSQN -14x □	14	3 (2, 4, 5, 6, 8, 9)	38	22	30	11	26	10	5	M5	10	4.90
WSQN -16x □	16		44	28	35	14	32	10	5	M5	10	6.67
WSQN -18x □	18	4 (2, 3, 5, 6)	48	32	40	16	36	11	6	M6	12	8.72
WSQN -20x □	20		48	32	40	16	36	11	6	M6	12	9.81
WSQN -22x □	22	5 (2, 3, 4, 6)	62	38	50	20	46	14	10	M8	16	12.36
WSQN -25x □	25		62	38	50	20	46	14	10	M8	16	14.22
WSQN -28x □	28		68	47	56	25	52	14	10	M8	16	17.95
WSQN -32x □	32	6 (3, 4, 5, 7, 8)	68	47	56	25	52	14	10	M8	16	21.08
Code	d	pitch	W	H	L	H	W1	W2	C	M	L2	Dynamic Load(KN)
Other sizes, dimensions and shapes are available upon request.												

Lead Screw

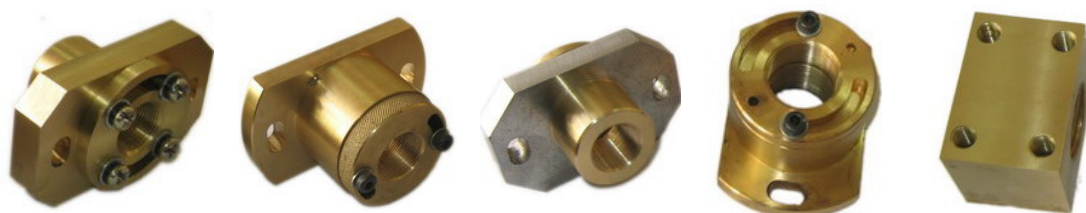
Plastic Round Nut -PRN



Stock Material: Bronze, Casting Iron; Other materials upon request: Brass, Steel etc.

Code	d	pitch	D	L	Code	d	pitch	D	L
PRN: with single-start.					PRN: with 2-start thread.				
PRN-12x3	12	3	26	24	PRN-12x6-2	12	3	26	24
PRN-16x4	16	4	36	32	PRN-12x8-2	12	4	26	24
PRN-20x4	20	4	45	40	PRN-16x8-2	16	4	36	32
PRN-24x5	24	5	50	48	PRN-20x8-2	20	4	45	45
PRN-30x6	30	6	60	60	PRN-24x10-2	30	6	50	48
PRN-36x6	36	6	75	72	PRN-30x12-2	30	6	60	60
PRN-40x7	40	7	80	80	PRN-36x12-2	36	6	75	72
PRN-50x8	50	8	90	100	PRN-40x14-2	40	7	80	80

Other sizes, dimensions and shapes are available upon request.



苏州斯科勒自动化设备有限公司
SCREW TECHNOLOGY CO.,Limited

Add.: No 988,Wusong Road,Wuzhong District,Suzhou,China

Tel:+86 15862406535

Email:kathy@screwtech.cn

<http://www.screw-tech.com/>