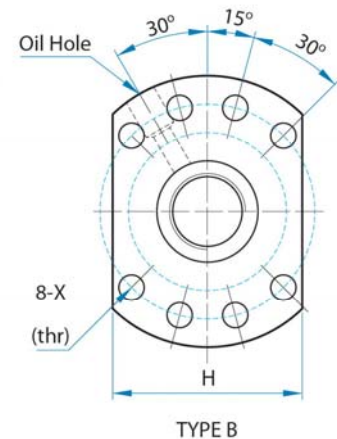
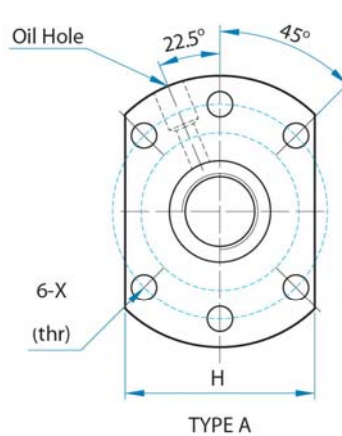
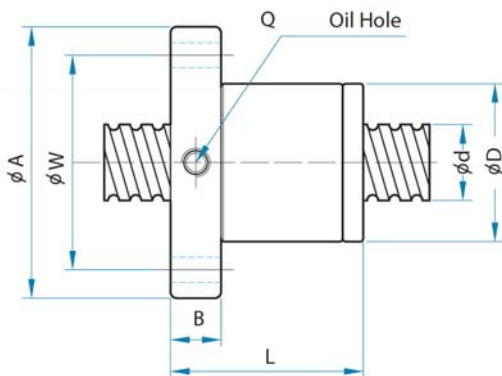


## Ballscrew-DIN Series

### SFU (Flange Single Nut, DIN 69051 Form B)



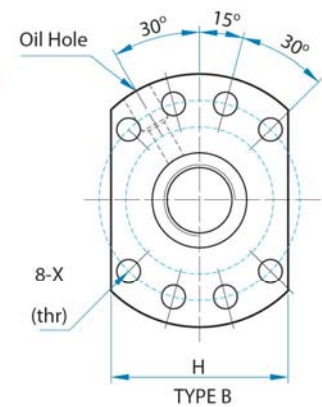
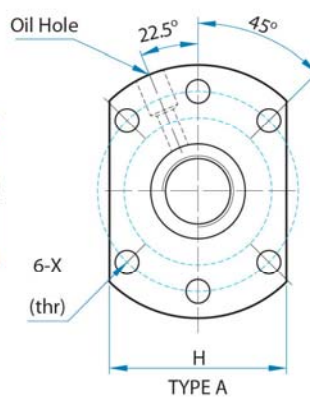
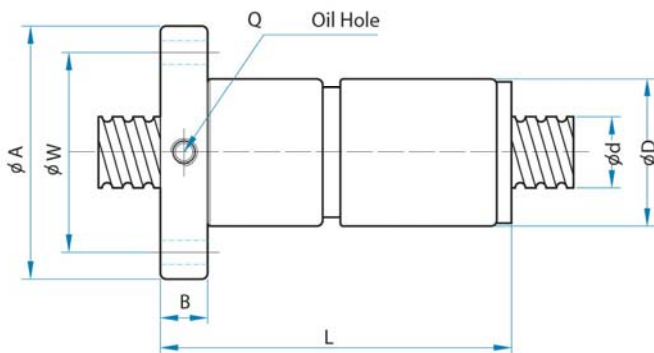
Unit : mm

Model No.	Dimensions															
	d	l	Da	D	A	B	L	W	Type	H	X	Q	n	Ca	Coa	K
1605-3	16	5	3.175	28	48	10	42	38	A	40	5.5	M6	3	765	1240	17
1610-4	16	5	3.175	28	48	10	50	38	A	40	5.5	M6	4	780	1790	17
1616-3	16	10	3.175	28	48	12	43.3	38	A	40	5.5	M6	3	716	1232	15
2005-4	20	5	3.175	36	58	10	53	47	A	44	6.6	M6	4	1100	2280	21
2505-4	25	5	3.175	40	62	10	53	51	A	48	6.6	M6	4	1250	3070	26
2510-4	25	10	4.762	40	62	12	85	51	A	48	6.6	M6	4	1944	3877	27
3205-4	32	5	3.175	50	80	12	53	65	A	62	9.0	M6	4	1400	4080	32
3210-3	32	10	6.35	50	80	16	74	65	A	62	9.0	M6	3	2605	5310	34
3210-4	32	10	6.35	50	80	16	90	65	A	62	9.0	M6	4	3390	7170	34
4005-4	40	5	3.175	63	93	16	56	78	B	70	9.0	M8	4	1575	5290	38
4010-4	40	10	6.35	63	93	18	93	78	B	70	9.0	M8	4	3850	9470	41
5010-4	50	10	6.35	75	110	18	93	93	B	85	11	M8	4	4390	12400	50
6310-4	63	10	6.35	90	125	18	98	108	B	95	11	M8	4	5070	16600	80
8010-4	80	10	6.35	105	145	20	98	125	B	110	13.5	M8	4	5620	21300	90

**Note:** l: Lead; Da: Ball Dia.; K: Stiffness (Kgf/ $\mu$ m); n: Num of Circuits; Ca: Basic Dynamic Rating Load (Kgf); Coa: Basic Static Rating Load (Kgf).

## Ballscrew-DIN Series

### DFU (Flange Double Nut, DIN 69051 Form B)



Unit : mm

Model No.	Dimensions															
	d	l	Da	D	A	B	L	W	Type	H	X	Q	n	Ca	Coa	K
1605-3	15	5	3.18	28	48	10	80	38	A	40	5.5	M6	3	780	1790	37
2005-4	20	5	3.18	36	58	12	92	47	A	44	6.6	M6	4	1100	2280	49
2505-4	25	5	3.18	40	62	12	92	51	A	48	6.6	M6	4	1250	3070	58
2510-4	25	10	4.76	40	62	12	153	51	A	48	6.6	M6	4	1944	3877	49
3205-4	32	5	3.18	50	80	12	92	65	A	62	9.0	M6	4	1400	4080	70
3210-4	32	10	6.35	50	80	16	160	65	A	62	9.0	M6	4	3390	7170	79
4005-4	40	5	3.18	63	93	15	96	78	B	70	9.0	M8	4	1575	5290	84
4010-4	40	10	6.35	63	93	18	162	78	B	70	9.0	M8	4	3850	9470	97
5010-4	50	10	6.35	75	110	16	162	93	B	85	11.0	M8	4	4390	12400	115
6310-4	63	10	6.35	90	125	18	182	108	B	95	11.0	M8	4	5070	16600	80
8010-4	80	10	6.35	105	145	20	182	125	B	110	13.5	M8	4	5620	21300	90

**Note:** l: Lead; Da: Ball Dia.; K: Stiffness (Kgf/ $\mu$ m); n: Num of Circuits; Ca: Basic Dynamic Rating Load (Kgf); Coa: Basic Static Rating Load(Kgf).